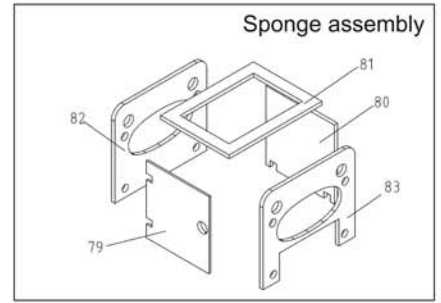
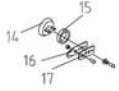
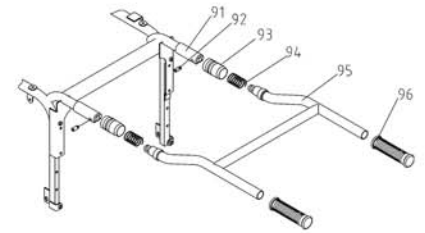


**IG6000, IG6000H
KGE6000Ti,
KGE6000THi**

KGE3300Ti-08330 Lock parts

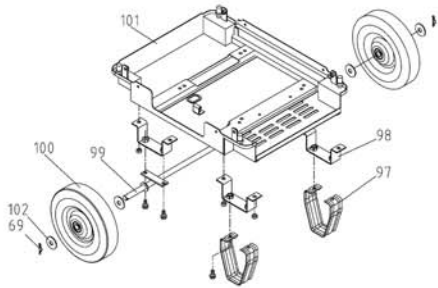


KGE7000Thi-06000 Handrail bracket parts

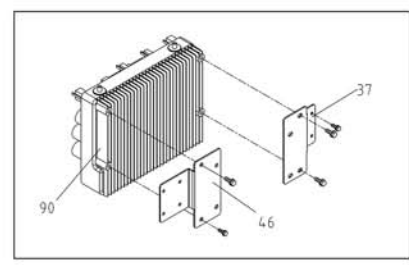
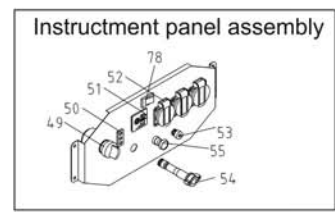
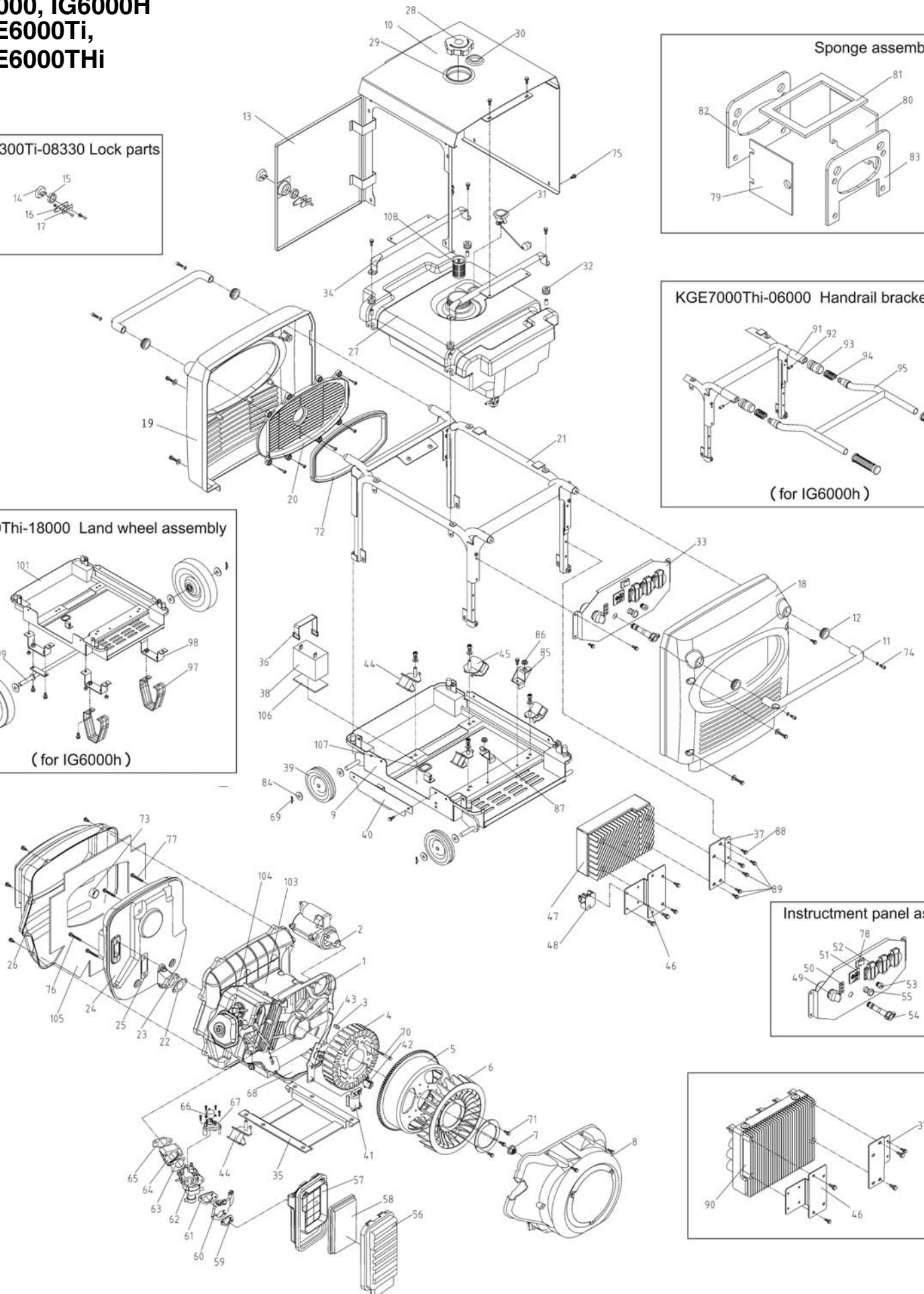


(for IG6000h)

KGE7000Thi-18000 Land wheel assembly



(for IG6000h)



IG6000 / IG6000H / KGE6000Ti / KGE6000THi

No.	Manf. #	Order #	Description	Qty.
1	KG390GETI-0000	66429	Engine assembly	1
2	KG340E-15000	66520	Electric Starter	1
3	KGE3500Xi-02002		Stator location pin	2
4	KD55-02100		Stator assembly	1
5	KD55-02200		Rotor assembly	1
4-5	KDM70A-2-0200	66414	Alternator Assembly	1
6	KM186FGi-05105		Fan	1
7	KG186F-05002		Flywheel nut	1
8	KGE5500Ti-04001	66452	Air Guide Cover	1
9	KGE5500Ti-03000b		Chassis assembly	1
10	KGE5500Ti-08100		Sideboard assembly	1
11	KGE5500Ti-08200	66543	Handle assembly	2
12	KGE3300Ti-08204		Handle robber sleeve	4
13	KGE5500Ti-08300	66454	Door	1
14	5GF-LDE-05018		Door lock knob	1
15	5GF-LDE-05019		Door lock gasket	1
16	5GF-LDE-05022		Door lock	1
17	5GF-LDE-05021		Door lock strengthen plate	1
14-17	KGE3300Ti-08330	66442	Door Latch Kit	1
18	KGE5500Ti-08401	66455	Front cover	1
19	KGE5500Ti-08501	66456	Rear cover	1
20	KGE5500Ti-08601	66457	Exhaust window	1
21	KGE5500Ti-08700		Frame weldment	1
22	KG240-02015	66417	Exhaust pipe gasket	1
23	KGE5500Ti-10301	66468	Exhaust pipe	1
24	KGE5500Ti-10100	66467	Muffler assembly	1
25	KGE5500Ti-10302		Gasket A	1
26	KGE5500Ti-10200		Muffler cover assembly	1
27	KGE5500Ti-11001	66470	Fuel Tank	1
28	KGE3300Ti-11010	66444	Gas Cap	1
29	KGE3300Ti-08108A	66440	Fuel Gauge Gasket	1
30	KGE3300Ti-08106	66438	Sight Glass	1
31	KGE3300Ti-11300	66243	Fuel Gauge Assembly	1
32	KGE3300Ti-11003		Fuel tank gasket	4
33	KGE5500Ti-13200		Control Panel	1
34	KGE5500Ti-08900		Stay tube weldment	2
35	KGE5500Ti-01010		Engine bracket	1
36	KGE3500Xc-17100	66448	Battery Strap	1
37	KGE5500Ti-08724		Module fixing plate 2	1
38	LTZ14-4	68031	Battery, Sealed Lead Acid (12V-14AH)	1
39	KDE6800Ti-03131	66411	Wheel	4
40	KGE5500Ti-03400		Battery pressure plate	2
41	KGE3300Ti-13300	66446	Ignition coil	1
42	KGE3300Ti-13601	66016	Trigger	1
43	KGE5500Ti-13320		Ignition coil bracket weldment	11
44	KGE5500Ti-12100	66472	Left vibration isolator	2
45	KGE5500Ti-12200	66473	Right vibration isolator	2
46	KGE5500Ti-08723		Module fixing plate 1	1
47	DU50-120/240V	66404	Coast Only Inverter Module	1
48	CDQ-10AH	66402	Charging adjustor	1
49	JK425	66913	Ignition Switch	1
	JK425-1	66912	Key for JK42X Switch	1
50	DHQ-30	66153	Three in one ignition Module	1
51	WZ-Z2 8.3A DC12V		DC receptacle	1
52	10A/16A 250V		European style receptacle	3
53	GB/806-1988		Grounding Nut	1
54	KGE3300Ti-11005	66443	Adjusting pipe of oil tank switch	1
55	KGE7000Ti-14000	66481	Air valve cable	1
56	KG390GETI-07002	66434	Air filter cover	1
57	KG390GETI-07001	66433	Air filter bottom	1

No.	Manf. #	Order #	Description	Qty.
58	KG240GX-07002	66424	Filter element	1
59	KG240-07004	66420	Carbureter washer	1
60	KG390GTI-11000	66436	Choke Valve Plate	1
61	KG240G-02023		Carbureter gasket B	2
62	P27A1-000	66491	Carbureter assembly	1
62A	P27A3-14	66493	High Altitude Jet	1
62B	P27A3-300	66927	Carburetor Solenoid	1
63	KG390GET-02021	66431	Carbureter gasket A	1
64	KG390GET-02019		Insulation block of carbureter	1
65	KG340-02014	66425	Inlet pipe gasket	1
66	24BY J24D	66147	Stepping motor	1
67	KG200GTi-10210		Motor frame parts	1
68	KGE5500Ti-01021		Cylinder bottom cover	1
69	QC/T623-1999		Lock pin 12	4
70	GB/T5788-1986		Bolt	4
71	GB/T5789-1986		BoltM6X12	12
72	KGE5500Ti-08602	66458	Sealing band of exhaust window	1
73	KGE5500Ti-10100		Fireproof cap assembly	1
74	GB/T70-1985		Hexagonal boltM8X12	4
75	GB/T5788-1986		BoltM6X12	20
76	KGE5500Ti-10304		BoltM8X75	2
77	KGE5500Ti-10305		BoltM8X80	4
78	RF-1003-BB2	66498	Smart Throttle Switch	1
79	KGE3300Ti-08802a	66460	Service Door Insulation	1
80	KGE5500Ti-08801a	66459	Left Housing Insulation	1
81	KGE5500Ti-08803a	66461	Top Cover Insulation	1
82	KGE5500Ti-08805a	66465	Rear Panel Insulation	1
83	KGE5500Ti-08804a	66464	Front Panel Insulation	1
84	GB96-85	66406	Wheel Washer	8
85	KGE5500Ti-03300		Damping plate 2	1
86	KGE5500Ti-03200		Damping plate 1	1
87	KDE5000X-30003		Damping block	2
88	GB/T5789-1986		BoltM6X30	4
89	GB/T5789-1986		BoltM8X12	8
90	DU50-120/240V	66404	Coast Only Inverter Module	1
91	KGE7000Thi-08700	66915	Frame	1
92	KGE7000Thi-06005	66916	Tighten screw	2
93	KGE7000Thi-06004	66917	Sliding bush	2
94	KGE7000Thi-06006	66918	Handle spring	2
95	KGE7000Thi-06002	66919	Arm rest	1
96	KGE7000Thi-06007	66920	Handle rubber sleeve	2
97	KGE7000Thi-18002	66922	Rear wheel stabiliser	2
98	KGE7000Thi-18001	66921	Front wheel stabiliser	4
99	KGE7000Thi-18100	66923	Axle weldment	1
100	10"	66924	Rubber wheel	2
101	KGE7000Thi-03000		Chassis assembly	1
102	GB96-85	66406	Wheel Washer	4
103	KGE5500Ti-01020		Baffle parts	1
104	KGE5500Ti-01030		Baffle parts of cylinder end	1
105	KGE5500Ti-10122		Heat insulation of muffler cover	1
106	KGE5500Ti-17006	66475	Battery gasket	1
107	KGE3300Ti-03003	66437	Chock plug of oil outlet	1
108	KGE3300Ti-11008		Strainer	1