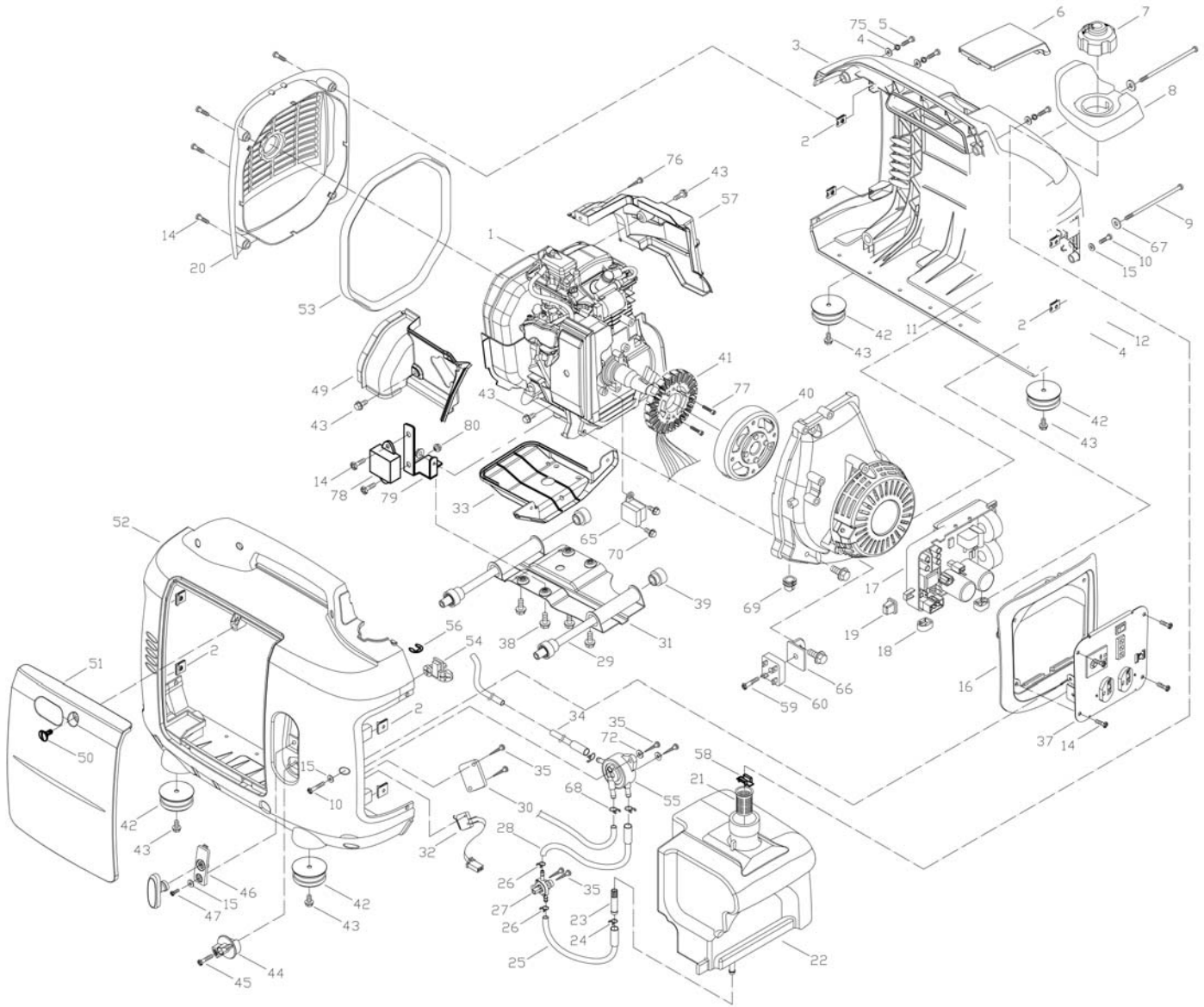
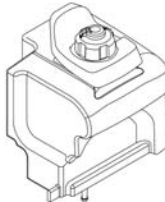
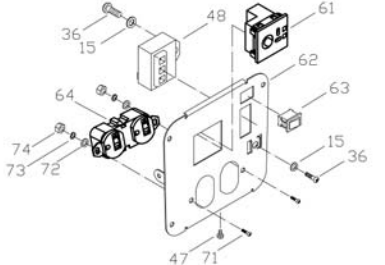



IG2000 with Capacitor, Rev. 12/2007



<p>Fuel Tank KGE2000Ti-07400</p> 	<p>Control Panel IG2000-13100</p> 	<p>Alternator Assembly KD (M) 20 (A) -02000</p> 
--	--	---

IG2000 with Capacitor, Rev. 12/2007

No.	Manf. #	Order #	Description	Qty.
1	KG158-0000	66739	Gasoline Engine	1
2	KGE1000Ti-06115		Rear Cases Locking Plug-Board	8
3	KGE2000TiA-03300	66742	Right Case and Inlays	1
4	GB/T97.1-2002	66513	Gasket 6	4
5	GB/T818-2000		Screw M6X20	3
6	KGE2000Ti-03600	66744	Top Cover	1
7	KGE1000Ti-07200	66228	Fuel Tank Cover	1
8	KGE2000Ti-07005	66746	Fuel Filler Washer	1
9	KGE2000Ti-03002		Hexagonal Bolt M6X180	2
10	GB/T818-2000		Screw M5X25	2
11	KGE1000Ti-06301		Cross Type Protective Bracket of Right Case	1
12	KGE2000Ti-03003		Hexagonal Bolt M6X70	1
13	KD(M)20(A)-02000A	66008	Alternator Assembly	1
14	GB/T818-2000		Screw M5X16	10
15	GB/T97.1-2002		Gasket 5	5
16	KGE2000Ti-03009		Front Case	1
17	DU20	65989	Inverter Module	1
18	KGE1000Ti-00008		Module Damping Washer	2
19	KGE1000Ti-00004		Square Type Rubber Protective Bracket	1
20	KGE2000Ti-03200	65990	Rear Case	1
21	KGE1000Ti-07011	66227	Filter Cup	1
22	KGE2000Ti-07100	66748	Fuel Tank	1
23	KGE1000Ti-07004	66749	Strainer	1
24	KGE1000Ti-07012	66750	Hoop 10	1
25	KGE1000Ti-07001	66951	Fuel Pipe I	1
26	KGE1000Ti-07006	66752	Hoop 7	2
27	KGE1000Ti-07300	66275	Fuel Switch Assembly	1
28	KGE2000Ti-07002	66754	Fuel Pipe II	1
29	KGE2000Ti-12102a		Hollow Shaft	2
30	KGE3000Ti-03017		Micro-Switch Board	1
31	KGE2000Ti-12110a		Base Plate	1
31	KGE2000Ti-12120*	67309	Base Plate-C	1
32	KW4A-Z6CSF200	66756	Micro-Switch	1
33	KGE2000Ti-04300		Lower Air Deflector	1
34	KGE2000Ti-07003	66757	Fuel Pipe III	1
35	GB/T845-1985		Screw ST3.8X16	6
36	GB/T818-2000		Screw M5X12	2
37	IG2000-13100		Control Panel	1
38	GB/T5789-2000		Hexagonal Bolt M8X30	4
39	KGE2000Ti-12101b		Damper Bushing	4
40	KD(M)20(A)-02200	65995	Rotor	1
41	KD(M)20(A)-02100	65996	Stator	1
42	KGE2000Ti-03004	66234	Bottom Washer	4
43	GB/T5789-2000		Hexagonal Bolt M6X12	7
44	KGE1000Ti-07008	66226	Oil Switch Lever	1
45	KGE1000Ti-07304		Screw	1
46	KGE1000Ti-06102	66758	Grip Mounting Base	1
47	GB/T818-2000		Screw M5X10	2
48	DHQ-20	66152	Ignition Module, Three-in-One	1
49	KGE2000Ti-04200		Inlet Side Guide Plate	1
50	KGE1000Ti-00006	66217	Screw M6	1
51	KGE2000Ti-03500	66235	Side Lid	1
52	KGE2000TiA-03400	65992	Left Case and Inlays	1
53	KGE2000Ti-03001	66233	Rear Case Sealing Strip	1
54	KGE1000Ti-06101		"Cross Type Protective Bracket of Left Case	1
55	KGE1000Ti-07100	65924	Fuel Vacuum Pump	1
56	GB/T896-1986		Open Ring 9	1
57	KGE2000Ti-04100		Deflector on the Exhaust Side	1
58	KGE1000Ti-07013	66954	Oil Indicator	1

No.	Manf. #	Order #	Description	Qty.
59	GB/T818-2000		Screw M5X20	1
60	KBPC2510	66517	Rectifier Bridge	1
61	WZ-Z2	66284	DC Receptacle	1
62	IG2000-13110		Control Panel	1
63	RF-1003-BB2	66498	Smart Switch	1
64	5-20R	66763	A-Style Receptacle	1
65	KGE2000Ti-13601	66766	Trigger	1
66	KGE2000Ti-13340		The Board of Commute Bridge	1
67	GB/T96.1 2002		Big Gasket 6	2
68	KGE1000Ti-07007	66767	Hoop 9	3
69	KGE2000Ti-04400		Seal Gasket of Motor Wire Outlet	1
70	GB/T5789-2000		Hexagonal Bolt M5X12	2
71	GB/T818-2000	66777	Screw M4X16	2
72	GB/T97.1-2002		Gasket 4	4
73	GB/T93-1987		Spring Gasket 4	2
74	GB/T41-2000		Hexagonal Nut M4	2
75	GB/T93-1987		Spring Gasket 6	3
76	GB/T818-1985		Screw ST2.9X12	1
77	GB/T70.1-2000		Hexagonal Screw M5X30	2
78	CBB61 10uF/250V*	67037	AC Capacitor	1
79	KGE2000Tc-03700a*	67038	Capacitor Fixed Plate	1
80	GB/6177.1-2000		Hexagonal Nut M5	1
	IG2000-T0000	66236	Decal Set	1
			* beginning 12/2007	