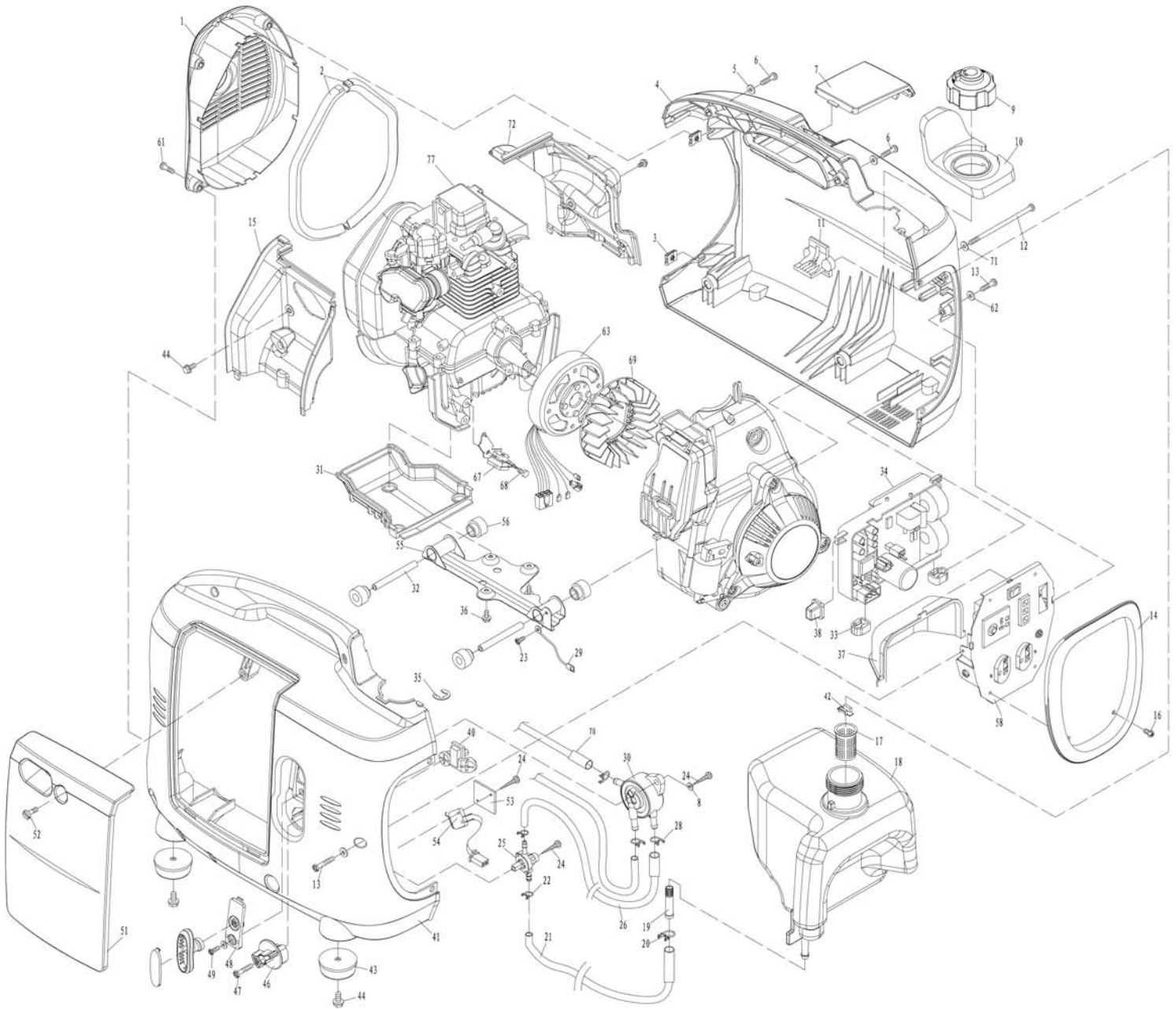
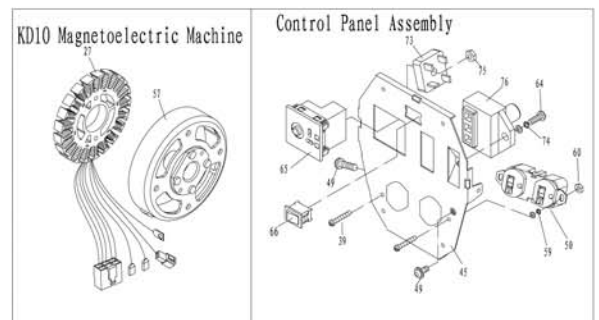


KIPOR IG1000 INVERTER GENERATOR PARTS



© 2007 by The Coast Distribution System, Inc.



KIPOR IG1000 INVERTER GENERATOR PARTS

| No. | Manf. # | Order # | Description | Qty. |
|-------|------------------|---------|--|------|
| 1 | KGE1000Ti-06610 | 65970 | Rear case | 1 |
| 2 | KGE1000Ti-06601 | 66222 | Seal strip of Rear case | 1 |
| 3 | KGE1000Ti-06115 | | Insertor | 4 |
| 4 | KGE1000Ti-06310 | 65929 | Right Case | 1 |
| 5 | GB/T97.1-85 | | Gasket 6 | 2 |
| 6 | GB/T818-2000 | | H-type plus screw M6X20 | 2 |
| 7 | KGE1000Ti-06401 | 66946 | Top Cover of Right Case | 1 |
| 8 | GB/T97.1-85 | | Gasket 4 | 4 |
| 9 | KGE1000Ti-07200 | 66228 | Fuel Tank Cover | 1 |
| 10 | KGE1000Ti-07009 | 66947 | Protective sleeve | 1 |
| 11 | KGE1000Ti-06301 | | Cross type protective holder of right case | 1 |
| 12 | KGE1000Ti-00007 | | Bolt M6X105 | 2 |
| 13 | GB/T818-2000 | | H-type plus screw M5X25 | 2 |
| 14 | KGE1000Ti-06501 | 65969 | Front Case | 1 |
| 15 | KGE1000Tia-03011 | 66947 | Air Inlet Deflector | 1 |
| 16 | GB/T818-2000 | | H-type plus screw M5X15 | 4 |
| 17 | KGE1000Ti-07011 | 66227 | Filter | 1 |
| 18 | KGE1000Ti-07005 | 66948 | Fuel tank | 1 |
| 19 | KGE1000Ti-07004 | 66749 | Strainer | 1 |
| 20 | KGE1000Ti-07012 | 66750 | Clip 10 | 1 |
| 21 | KGE1000Ti-07001 | 66953 | Fuel pipe | 1 |
| 22 | KGE1000Ti-07006 | 66752 | Clip 7 | 2 |
| 23 | GB/T818-2000 | | H-type plus screw M6X16 | 1 |
| 24 | GB/T845-85 | | Self-tapping screw ST4.8X20-C-H | 6 |
| 25 | KGE1000Ti-07300 | 66275 | Fuel valve assembly | 1 |
| 26 | KGE1000Ti-07002 | 66953 | Fuel pipe II | 1 |
| 27 | KN10-02100 | | Stator | 1 |
| 27-57 | KF10-02000 | 65972 | Alternator Assembly | |
| 28 | KGE1000Ti-07007 | 66767 | Clip 9 | 3 |
| 29 | KGE1000Ti-05600 | | Ground cable of engine mountings | 1 |
| 30 | KGE1000Ti-07100 | 65924 | Vaccum fuel pump | 1 |
| 31 | KGE1000Tia-03031 | | Air Outlet Deflector | 1 |
| 32 | KGE1000Ti-04204 | | Lower Hollow Shaft | 2 |
| 33 | KGE1000Ti-00008 | | Damping cushion | 2 |
| 34 | DU10 | 65949 | Inverter Module | 1 |
| 35 | GB/T896-1986 | | Split Washer 9 | 1 |
| 36 | GB/T5789-1986 | | Hexagon Flange Bolt M6X16 | 3 |
| 37 | KGE1000Ti-06001 | | Electrical elements protect cover | 1 |
| 38 | KGE1000Ti-00004 | | Square type rubber protective frame | 1 |
| 39 | GB/T818-2000 | | H-type plus screw M5 20 | 4 |
| 40 | KGE1000Ti-06101 | | Cross type protective holder of left case | 1 |
| 41 | KGE1000Ti-06110 | 65967 | Left case | 1 |
| 42 | KGE1000Ti-07013 | 66954 | Oil Scale | 1 |
| 43 | KGE1000Ti-06700 | 66224 | Damping cushion of the case bottom | 4 |
| 44 | GB/T5789-1986 | | Hexagon Flange Bolt M6X16 | 6 |
| 45 | KGE1000Ti-13101 | | Control Panel | 1 |
| 46 | KGE1000Ti-07008 | 66226 | Oil switch lever | 1 |
| 47 | KGE1000Ti-07304 | | Screw | 1 |
| 48 | KGE1000Ti-06102 | | Fixing sleeve of starter handle | 1 |
| 49 | GB/T818-2000 | | H-type plus screw M5X12 | 3 |
| 50 | 5-20R | 66763 | American Twin Socket | 1 |
| 51 | KGE1000Ti-06201 | 66219 | Side door of left case | 1 |
| 52 | KGE1000Ti-00006 | 66217 | Screw M6 | 1 |
| 53 | KGE3000Ti-03017 | | Micro Switch Baffle | 1 |
| 54 | KW4A-Z6CSF200 | 66756 | Micro Switch | 1 |
| 55 | KGE1000Tia-04100 | | Mounting Weldment of Engine | 1 |
| 56 | KGE1000Ti-04201b | | Lower Daming Shealth | 4 |
| 57 | KM10-02200 | | Rotor | 1 |
| 58 | KGE1000Ti-13100 | | Control Panel Assembly | 1 |

| No. | Manf. # | Order # | Description | Qty. |
|-----|------------------|---------|----------------------------------|------|
| 59 | GB/T93-87 | | Spring Gasket 4 | 2 |
| 60 | GB/T6177-2000 | | Hexagonal Flange Nut M4 | 2 |
| 61 | GB/T818-2000 | | Screw M5X16 | 4 |
| 62 | GB/T97.1-85 | | Gasket 5 | 4 |
| 63 | KD10-0000 | 65972 | KD10 Magnet Electric Machine | 1 |
| 64 | GB/T818-2000 | | H-Type Plug Screw M5X12 | 1 |
| 65 | WZ-Z2 | 66284 | DC Receptacle (DC12V 8.3A) | 1 |
| 66 | RF-1003-BB2 | 66498 | Smart Throttle Switch | 1 |
| 67 | KGE1000Ti-13601 | 66956 | Trigger | 1 |
| 68 | GB/T5789-1986 | | Hexagonal Flange Bolt M5X12 | 1 |
| 69 | KD10-02001 | 66957 | Fan | 1 |
| 70 | KGE1000Ti-07003 | | Fuel Pipe III | 1 |
| 71 | GB/T96-85 | | Gasket 6 | 2 |
| 72 | KGE1000Tia-03021 | | Exhaust Side Deflector | 1 |
| 73 | KBPC25-10 | 66518 | Rectifier Bridge | 1 |
| 74 | GB/T93-87 | | Spring Gasket | 2 |
| 75 | GB/T6177-2000 | | Hexagonal Flange Nut M5 | 1 |
| 76 | KMDK-01 | 65906 | Three In One Ignition Controller | 1 |
| 77 | KG144-00000 | 66965 | KG144 Gasoline Engine | 1 |